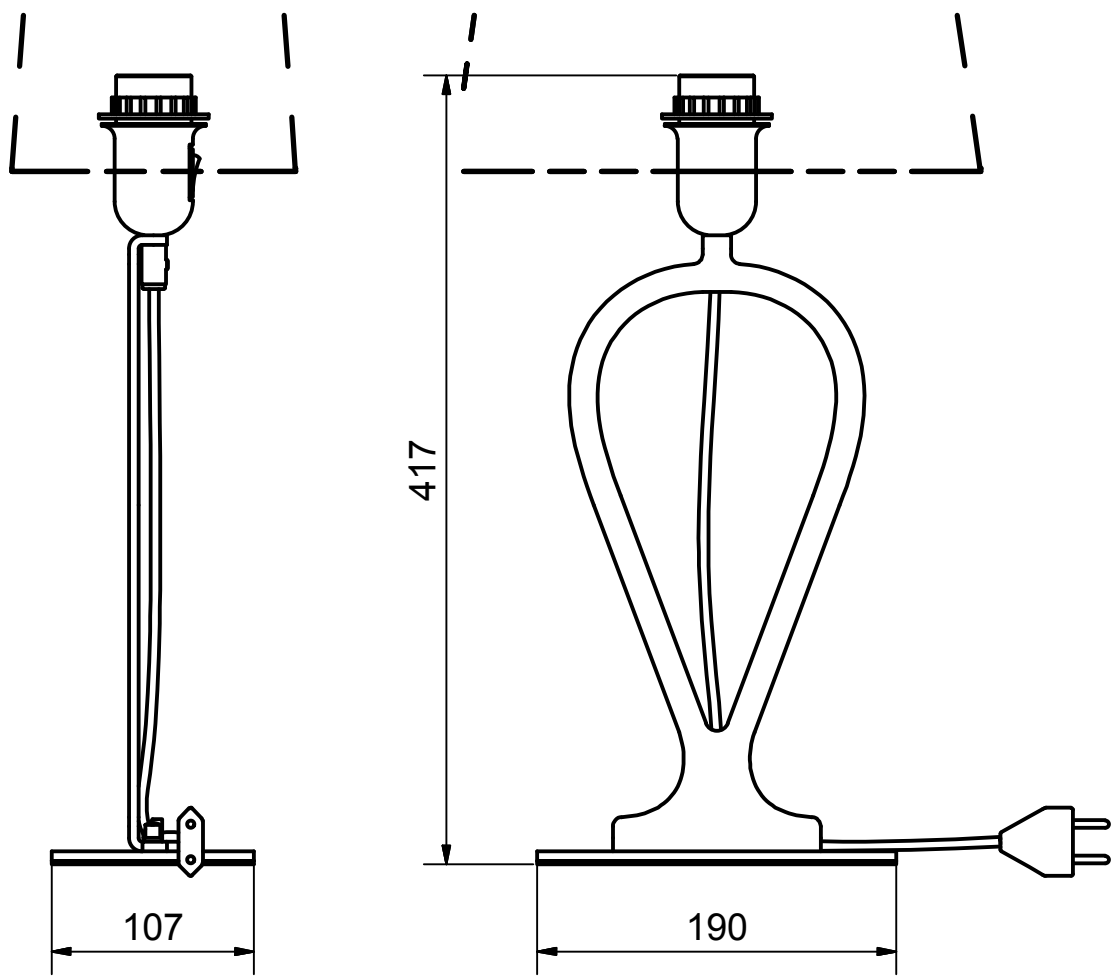



This drawing remains our property and should not be copied without our written allowance. Nor is it permitted to show or give this to a third person. Contravention will be prosecuted with the support of the existing law.



Benämning		Modellbeteckning	
Bordlampa E27			
 BELID <i>Since 1969</i> SE-432 95 VARBERG, Sweden Phone +46 340 623000 www.belid.se		Material	Konstruerad av
		Dimension	Skala
		Area mm2	Vikt kg
		Ritad av	Datum
		AÖ	2015-10-22
	0,18 kg	Ritnings.nr.	B-4037 måttskiss