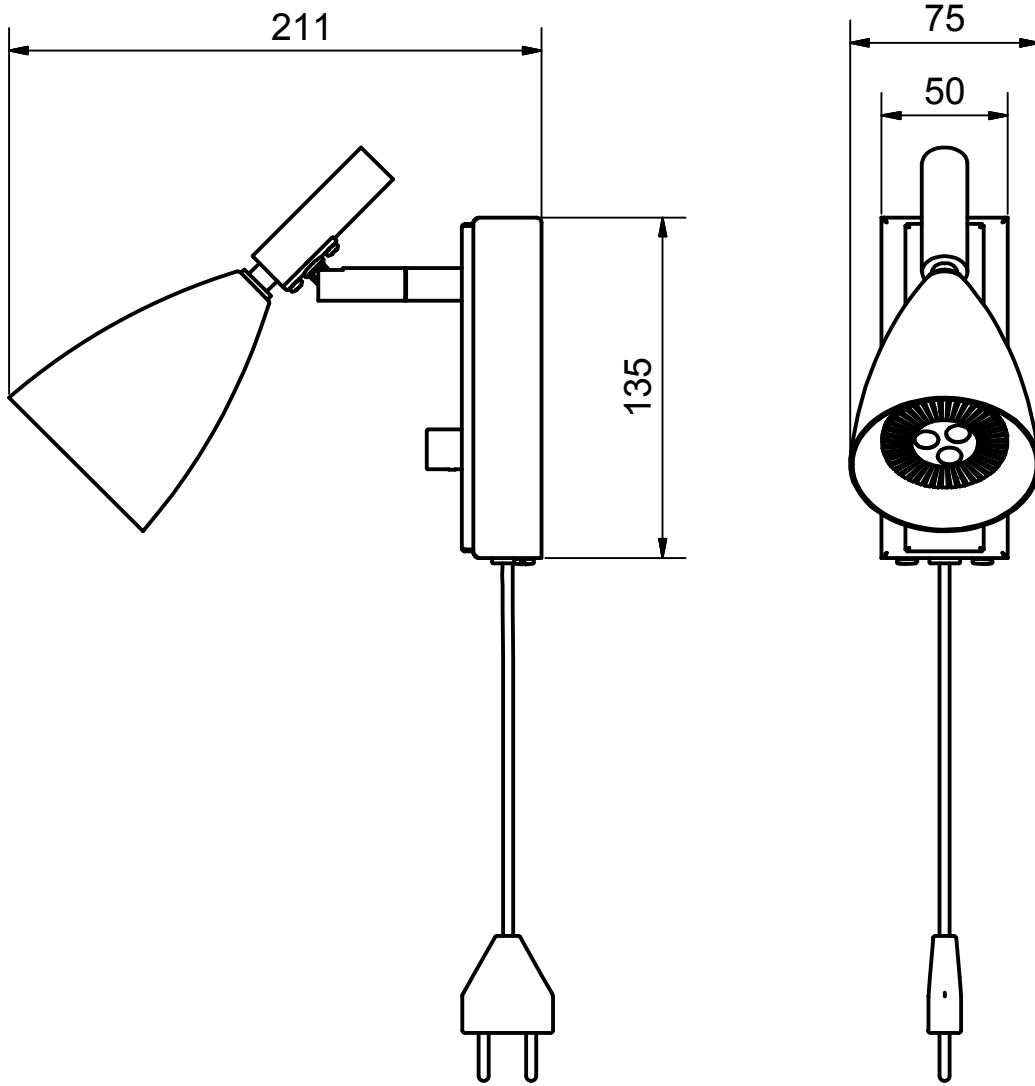



This drawing remains our property and should not be copied without our written allowance. Nor is it permitted to show or give this to a third person. Contravention will be prosecuted with the support of the existing law.



Benämning		Modellbeteckning	
Vägglamp LED Dimbar		FRANK 2.0	
 BELID <i>Since 1969</i> SE-432 95 VARBERG, Sweden Phone +46 340 62 30 00 Fax +46 340 62 30 27	Material	Konstruerad av	Ritad av
	Dimension	Skala	Datum
	Area mm2	Vikt kg	Ritnings.nr.
	0,41 kg	V-5159 måttskiss AÖ 2015-03-26	